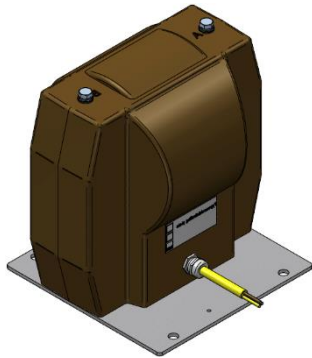


## UGZT..E6 – Auxiliary Power Supply

Auxiliary power supply systems are needed to ensure the energy supply for the operation of primary or secondary devices in a station, switchgear or substation. These devices typically include: smart grid electronics, air conditioning, heating, lighting, power transformer cooling fans, station battery chargers (DC) and standard wall socket outlets. This double pole voltage transformer generates an output of 230 Volt.



### Technical Specifications

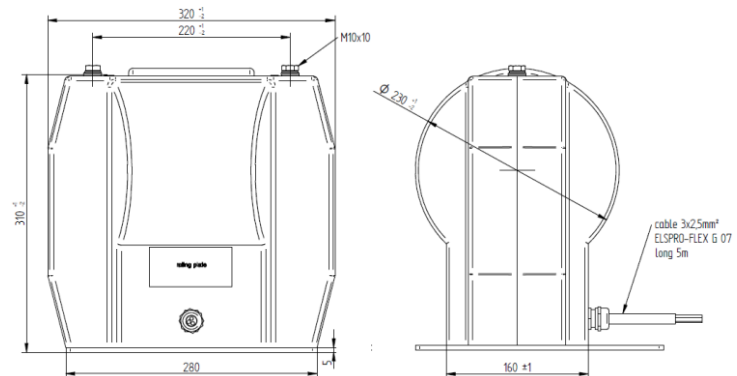
Application	Switchgear, Transformer station
Rated insulation voltage	Up to 24/50/125kV
Maximum rated primary voltage	22kV
Rated voltage factor	1,2 x Un continuously
Secondary voltages	230V, other options available on request
Rated output	See table
Rated frequency	As required For example 50-60Hz
Class of insulation	E
Secondary terminals	Cable: Elspro-flex G07 – 5 meter, 3 wire, 2.5mm <sup>2</sup>

### Ordering Specifications\*

Input	50/60 Hz	Article number
1,5 kV	4000 VA	On request
3,0 kV	4000 VA	On request
6,3 kV	3500 VA	On request
6,6kV	3500 VA	On request
7,2 kV	3200 VA	On request
10 kV	3200 VA	On request
11 kV	3200 VA	On request
13,8 kV	3000 VA	On request
17,5 kV	2000 VA	On request
20 kV	2000 VA	On request
22 kV	2000 VA	On request

\* On request other inputs and burdens are possible.

### Dimensions



### Wiring Diagram (Example)

