

SVA105-100-50 – Cast-resin Current Transformer

The SVA105 is especially designed for application in medium voltage installations around insulated cables. The SVA105 has a sealable cap which makes the transformer also suitable for revenue metering (billing). This cast resin isolated transformer is compact, easy to mount and GOST certified. Multi-core and multi ratio types are available in measuring and protection classes.



Technical specifications

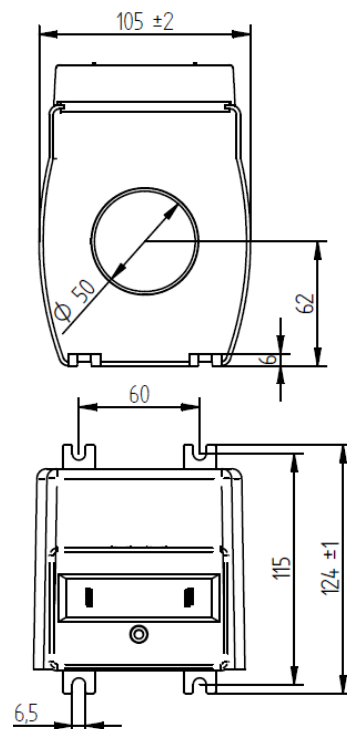
Environmental conditions	
This product is designed to be safe under the following conditions:	
Location:	Indoor use
Ambient temperature:	-10 °C .. +55 °C
Relative humidity:	5% .. 85%, non condensing, non formation of ice
Protection degree:	IP40
Only suitable for insulated primary conductors	
Application conditions	
Standard:	IEC 61869-2:2012
Rated short-time thermal current (I _{th}):	20 kA3s
Continuous thermal current (I _{th}):	100%
Rated insulation level:	0,72/3/-kv
Rated frequency:	50/60Hz
Class of insulation:	E (120 °C)
Primary window dimensions:	Maximum Ø 50mm
Secondary terminal:	Screw terminals Ø 5mm Wire diameter max. 6mm ² solid max 4mm ² stranded

Ordering specifications

Ratio	Class	Burden	Article number
100/5A	0,2S-0,5S	2,5-5VA	4SV998
150/5A	0,2S	2,5VA	4SV998
200/5A	0,2S-0,5S	2,5-5VA	4SV998
300/5A	0,2S	2,5VA	4SV998
400/5A	0,2S	2,5VA	4SV998
500/5A	0,2S	2,5VA	4SV998
600/5A	0,2S	2,5VA	4SV998
50/1A	0,5-1	2-4VA	4SV998
100/1A	0,5-1	3-5VA	4SV998
150/1A	0,5-1	3-5VA	4SV998
200/1A	0,5-1	3-5VA	4SV998
300/1A	0,5-1	3-5VA	4SV998
400/1A	0,5-1	3-5VA	4SV998
500/1A	0,5-1	3-5VA	4SV998
600/1A	0,5-1	3-5VA	4SV998

On request other specifications for measuring and protection classes are possible.

Dimensions



Wiring diagram

